

Features

- 2-Way Normally Open operation.
- Die-cast aluminum bodies.
- Zero differential piloted diaphragm.
- Valves provided with 1/4" NPT pipe tap(s) with plug for routine testing.
- Suitable for ambient temperatures up to 175°F.

Construction

Valve Parts in Contact with Fluids	
Body	Aluminum
Seals and Disc	NBR
Washer	302 Stainless Steel
Core Tube	304L Stainless Steel
Core and Plugnut	430F Stainless Steel
Core Guide	PTFE
Springs	302F Stainless Steel
Shading Coil	Copper
Body Gasket	Cork
Pipe Plug*	Zinc-Plated Steel

* 2" through 3" sizes only.

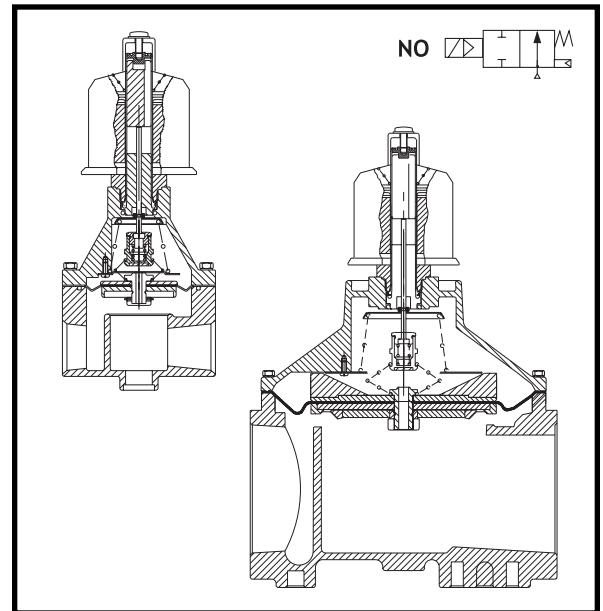
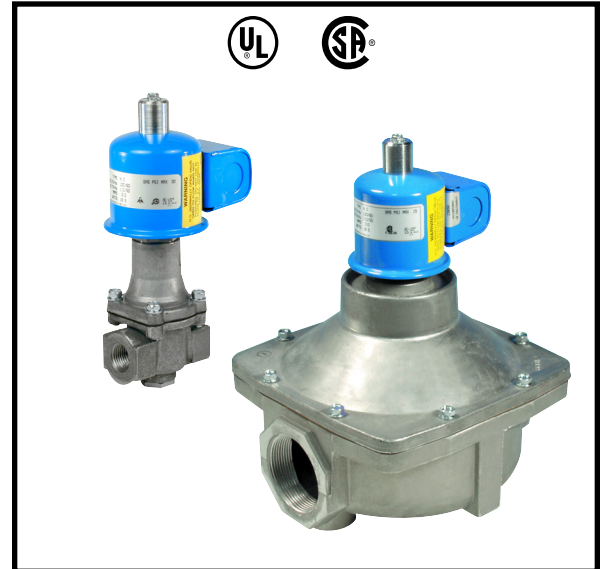
Electrical

Standard Coil and Class of Insulation	Watt Rating and Power Consumption			Ambient Temp. °F	Spare Coil Part No.		
	AC				General Purpose		
	Watts	VA Holding	VA* Inrush		24/60	120/60 110/50	240/60 220/50
F	18.5	37.2	120	-20 to 175	CS5AF01A18	CS5AF02A18	CS5AF04A18

*For 1" to 3" sizes VA Inrush is 180.

Solenoid Enclosures

Standard: Type 1 General Purpose Junction Box housing with two 7/8" knockouts.
Optional: Rainproof (Type 3R) housing, change digit 5 in catalog number from "S" to "W" (e.g. S262WF02N3CG5).



Approvals

UL listed to standard 429 "Electrically Operated Valves," Guide YIOZ, File MP932 General Purpose Valves.

CSA Certified to:

- 1) Standard C22.2 No. 139 "Electrically Operated Valves," File 113070.

Specifications

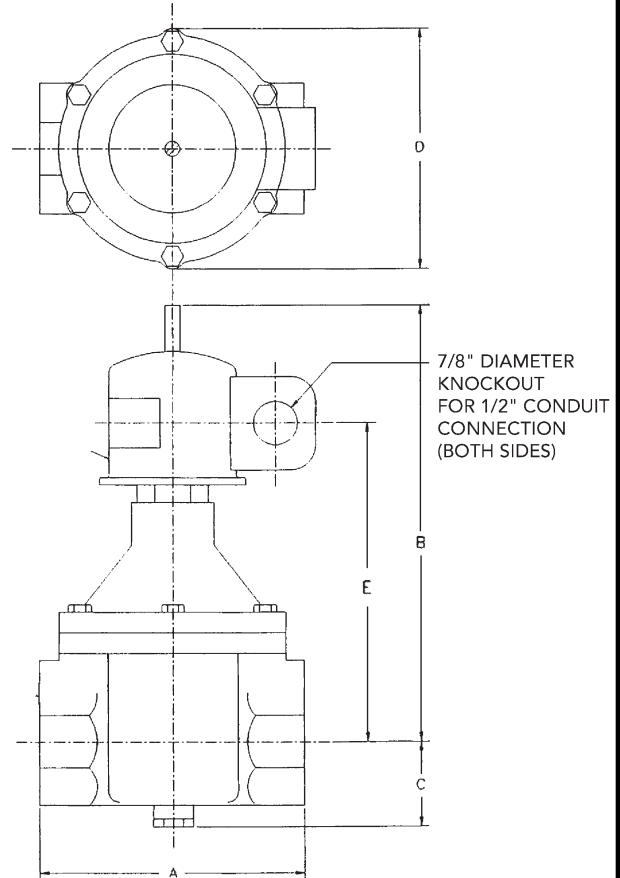
Pipe Size (ins.)	Orifice Size (ins.)	CV Flow	Gas Capacity ① Btu/hr.	Operating Pressure Differential (psi)		Nominal Fluid Temp. °F	Catalog Number			Const. Ref.	Approvals			Wattage	Approx. Shipping Weight (lbs)
				Min.	Max.		24V 60 Hz	110-120V 50-60 Hz	220-240V 50-60 Hz		UL	FM	CSA		
COMBUSTION (Fuel Gas) - NORMALLY OPEN															
3/8	3/4	5.3	217,000	0	30	77	S262SF01N3CG5	S262SF02N3CG5	S262SF04N3CG5	1	●	-	●	18.5	3.0
1/2	3/4	6.2	322,000	0	30	77	S262SF01N3DG5	S262SF02N3DG5	S262SF04N3DG5	1	●	-	●	18.5	3.2
3/4	3/4	8	370,000	0	30	77	S262SF01N3EG5	S262SF02N3EG5	S262SF04N3EG5	1	●	-	●	18.5	3.3
1	1 1/2	18	1,120,000	0	25	77	S262SF01N3FJ5	S262SF02N3FJ5	S262SF04N3FJ5	2	●	-	●	18.5	4.4
1 1/4	2	34	1,710,000	0	25	77	S262SF01N3GJ7	S262SF02N3GJ7	S262SF04N3GJ7	3	●	-	●	18.5	4.4
1 1/2	2	37	1,790,000	0	25	77	S262SF01N3HJ7	S262SF02N3HJ7	S262SF04N3HJ7	3	●	-	●	18.5	12.5
2	4 1/2	75	3,840,000	0	15	77	S262SF01N3JK4	S262SF02N3JK4	S262SF04N3JK4	4	●	-	●	18.5	12.5
2 1/2	4 1/2	90	4,750,000	0	15	77	S262SF01N3KK4	S262SF02N3KK4	S262SF04N3KK4	5	●	-	●	18.5	14.2
3	4 1/2	110	5,440,000	0	15	77	S262SF01N3LK4	S262SF02N3LK4	S262SF04N3LK4	5	●	-	●	18.5	14.2

● = General Purpose Valve. ① 1" W.C. Drop @ 2" W.C. Inlet Pressure, 1, 000 Btu/cu.ft. or more, 0.64 Specific Gravity Gas.

Dimensions: inches

Const. Ref. No.	A	B	C	D	E
1	2.75	7.22	1.06	2.31	4.60
2	4.00	8.09	1.41	4.27	5.47
3	4.76	8.45	1.79	4.77	5.83
4	8.12	8.50	2.16	7.69	5.95
5	9.00	9.83	2.27	7.69	7.20

Vent Valve Requirements	
Manifold Line	Vent Line
3/8" through 1 1/2"	3/4
2"	1
2 1/2" through 3"	1 1/4
3 1/2"	1 1/2
4" through 5"	2
5 1/2" through 6"	2 1/2
6 1/2" through 7 1/2"	3



Must be mounted with solenoid upright or horizontal (3/8" through 1 1/2").
Must be mounted with solenoid vertical and upright (2" through 3").